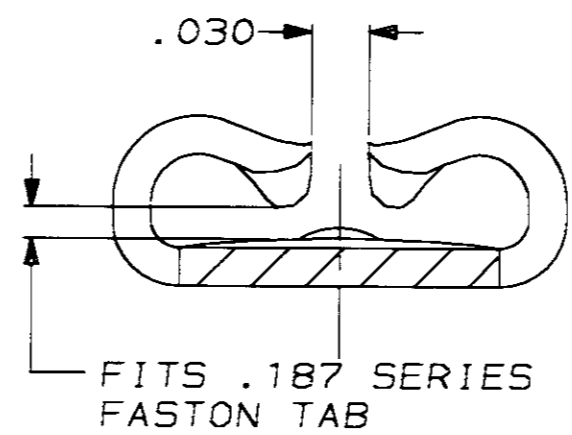


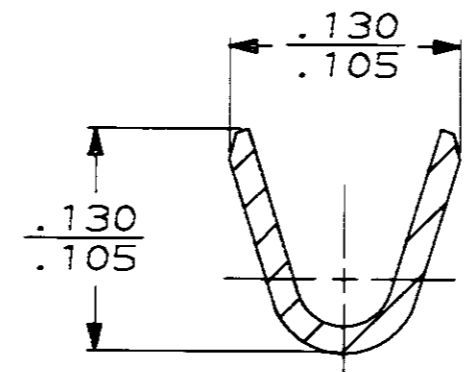
THIS DRAWING IS UNPUBLISHED. RELEASED FOR PUBLICATION, 19  
 © COPYRIGHT 19 BY AMP INCORPORATED. ALL INTERNATIONAL RIGHTS RESERVED.

LOC	DIST	P	F	ZONE	LTR	REVISIONS		DATE	APPD
AF	50				0	DESCRIPTION			
						DRAWN		11/17/93	JR/CM

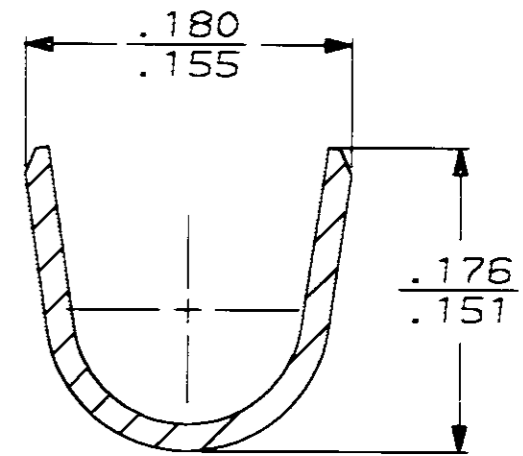
1 SUPPLIED IN LOOSE PIECE



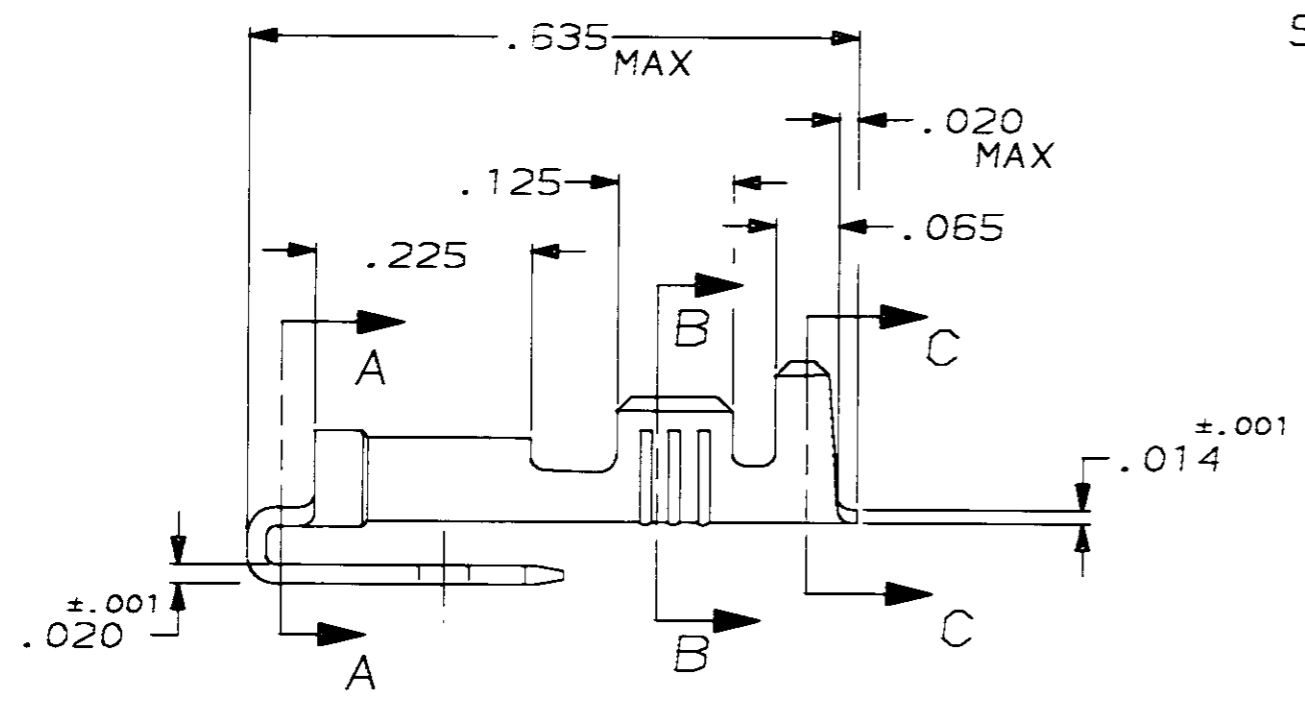
SECTION A-A  
SCALE 10:1



SECTION B-B  
SCALE 10:1



SECTION C-C  
SCALE 10:1



.090-.130	20-16	TIN	.020	62228-1
INSULATION RANGE	WIRE SIZE	FINISH	MATING TAB THK ±.001	PART NO
DO NOT SCALE PRINT. UNLESS SPECIFIED DIMENSIONS ARE IN INCHES TOLERANCES ON: 2 PLC DEC ± - 3 PLC DEC ± .015 ANGLES ± -	DR 11/17/93 JR RUTH CHK 11/17/93 P FORTNEY APPD 11/17/93 J GILLESPIE APPD 11/17/93 R REIMER	<b>AMP</b> AMP Incorporated Harrisburg, PA 17105-3608		
MATERIAL #4H PREMILLED BRASS	PRODUCT SPEC -	NAME RECEPTACLE & TAB, FASTON, PIGGYBACK, .187 SERIES		
FINISH SEE TABLE	APPLICATION SPEC -	SIZE B	CAGE CODE 00779	DRAWING NO 62228
	WEIGHT -	SCALE 5:1	SHEET 1 OF 1	